



# Fitting new Hills Ground Socket to older Hills Clothesline models

## Item codes of older Hills clothesline models:

**6-Line** 100563  
100564  
80110061

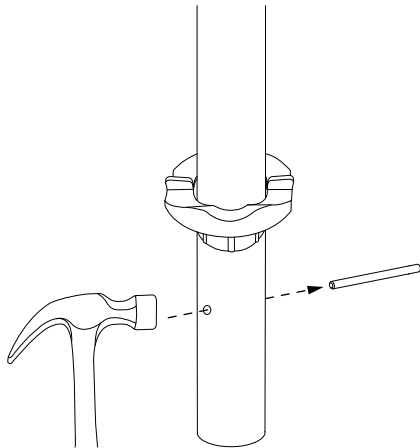
**7-Line** 100561  
100562  
100790

**8-Line** 100559  
100560  
80110054

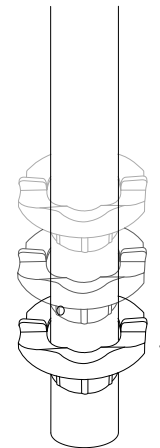
To use a new ground socket with an old model Hills clothesline, please follow the below steps:

- 1.** Carefully tap out the locking pin with a hammer. Do not use excessive force as this could damage the locking pin or hole.

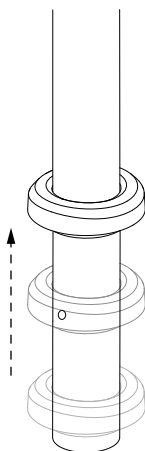
**NOTE:** Do not discard the locking pin as it is required to complete Step 4.



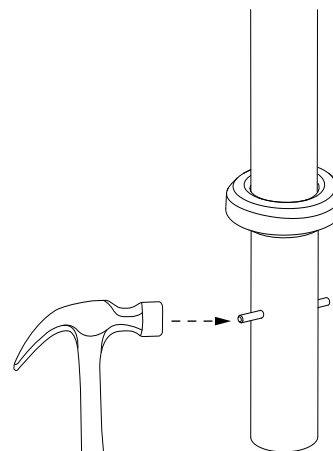
- 2.** Remove the old locking collar.



- 3.** Slide the **new** locking collar up the clothesline pole and **above the locking pin holes**.



- 4.** Carefully tap the locking pin back into place.



**NOTE:** In some cases the existing locking pin will need to be cut to a shorter length so it can fit into the new ground socket. Bolt-cutters are recommended if this is required. For any queries, please contact the Hills Customer Service Centre: Australia - 1300 327 293 / New Zealand - 0800 021 027.