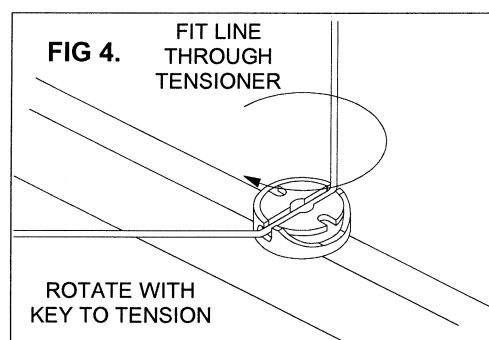
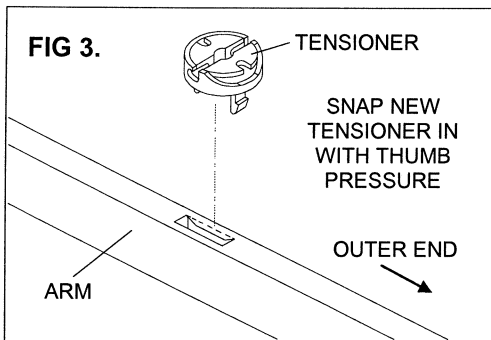
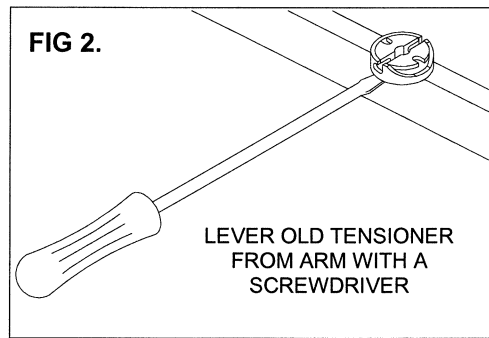
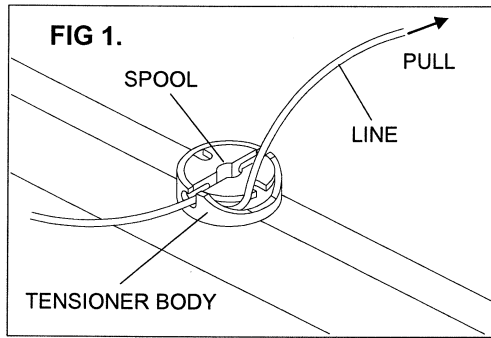




IMPORTANT: READ THESE INSTRUCTIONS BEFORE ASSEMBLY AND USE.



LINE TENSIONER REPLACEMENT INSTRUCTIONS:

IMPORTANT: *Protect your eyes* when removing and replacing plastic components.

TO REMOVE:

- Open the Hoist but do not lock into position.
- Unwind the line by pulling it out between the Spool and the Tensioner Body. See **FIG 1**.
- **Assembly tip:** to slacken the line a little, release the Locking Latch and allow the arms to fold up slightly.
- Lock the hoist in the full open position. Remove the old Line Tensioner by prying loose with a screwdriver. See **FIG 2**. **CAUTION:** *Protect your eyes* from possible flying plastic.

TO REPLACE:

- Replace the new Line Tensioner into the hole in the arm and snap in with thumb pressure. **NOTE:** make sure that the Tensioner is facing the right direction. See **FIG 3**.
- Lock the Hoist into position.
- Place the line through the new Tensioner and tighten by inserting the Tensioning Key and rotating until tight. See **FIG 4**.

IMPORTANT: *DO NOT* wind the Tensioner when the Hoist is not fully open and locked into position.

LINE TENSIONER REPLACEMENT PACK CONTAINS:

| DESCRIPTION | QTY. |
|----------------|------|
| Line Tensioner | 1 |



HILLS GUARANTEE.

HILLS INDUSTRIES LIMITED undertake that if any part of its manufacture has failed to operate correctly due to faulty workmanship or defective material, it will repair or replace the part free of cost for a period of one (1) year from the date of purchase of the article, given fair wear and tear. Evidence of unfair usage or incorrect adjustment by the owner will void this promise.

HILLS INDUSTRIES LIMITED will not be responsible for any cost in connection with freight or postage, or for the expenditure necessary to dismantle the article, replace the part in position and re-assemble the article.

This guarantee is in addition to any rights or remedies conferred on the consumer.

As a proudly Australian company, we are committed to provide you with complete customer satisfaction. If you have questions about this product, or find there are missing or damaged parts please call our Hills Consumer Advice Centre **1300 300 564** (cost of local call) for assistance during normal business hours.

This product is designed to perform a specific task under established test loads and unauthorised attachments may produce stresses for which the design is not appropriate. The use of any addition or attachment with this product will void the warranty, unless the addition or attachment has Hill's specific approval or is sold as a Hill's product.

Design, specifications and colours depicted are subject to change without notice.

HILLS INDUSTRIES LIMITED.
A.B.N. 007 573 417